

DESIGNER LINE REFRIGERATOR

Model: D1RXNPTHD

Natural Refrigerant R-290 Model

Designer Line

1-Section Extra-Wide Pass-Thru Refrigerator with Half Doors

D1RXNPTHD - Stainless steel front, aluminum end panels and interior

D1RXNSAPTHD - Stainless steel exterior, aluminum interior

D1RXNSSPTHD - Stainless steel exterior and interior



Options and Accessories

(upcharge and lead times may apply)

| | |
|---------------------------------------|--|
| Stainless steel case back | Casters |
| Additional epoxy coated steel shelves | Custom laminates |
| Chrome or stainless steel shelves | Special electrical req. (consult factory) |
| Pass-thru (consult factory) | Correctional Facility Options |
| Full door | <ul style="list-style-type: none"> One way security screws |
| Hinged glass door (consult factory) | <ul style="list-style-type: none"> Locking hasp (lock not included) |
| Rehinging of doors (consult factory) | <ul style="list-style-type: none"> Stainless steel mesh cover |
| Wine rack | <ul style="list-style-type: none"> Coverless hinges |

Consult factory for other model configurations, options and accessories.

Continental
Refrigerator

Toll-Free: 800-523-7138
Phone: 215-244-1400
Fax: 215-244-9579

539 Dunksferry Road
Bensalem, PA 19020
www.continentalrefrigerator.com

Project Name:

Model Specified:

Location:

Item No:

Quantity:

AIA #:

SIS #:

Standard Model Features

REFRIGERATION SYSTEM

Self contained, performance rated "plug" refrigeration system

Natural, environmentally safe, high efficiency R-290 refrigerant¹

Refrigeration system is readily accessible on top of cabinet, separate from the "food zone"

Automatic, hot gas condensate evaporator

Expansion valve system

CABINET ARCHITECTURE

3" non-CFC polyurethane foam insulation

Smooth, polished chrome workflow door handles

Cam action, lift off hinges

Self-closing doors

Magnetic snap-in Santoprene™ door gaskets

Cylinder lock in each door

Heavy duty pilaster strips

Heavy duty, epoxy coated steel shelves

Adjustable 6" stainless steel legs

MODEL FEATURES

LED interior lighting

Electronic controller with digital display & hi-low alarm

Off-cycle defrost

Top and side air distribution ducts

Cabinet upper side panels and refrigeration "plug" system can be removed and reinstalled at job site

¹ R-290 refrigerant meets all federal and state regulatory requirements.

APPROVAL:

Model Specifications

DIMENSIONAL DATA

| | |
|---|------------------|
| Net Capacity (cubic feet) | 32 (906 cu l) |
| Width, Overall (inches) | 36 1/4 (921 mm) |
| Depth, Overall (inches) (including handles) | 38 3/4 (984 mm) |
| Depth (inches) (less doors) | 32 (813 mm) |
| Depth (inches) (doors open 90°) | 79 (2007 mm) |
| Clear Door Width (inches) | 29 5/8 (752 mm) |
| Clear Half Door Height (inches) | 27 1/2 (699 mm) |
| Height, Overall (inches) (including 6" legs) | 83 1/4 (2115 mm) |
| Number of Doors | 4 |
| Number of Shelves | 3 |
| Shelf Area (square feet) | 24.4 (2.3 sq m) |

REFRIGERANT DATA

| | |
|-----------------------------|------|
| Condensing Unit Size (H.P.) | 1/3+ |
| Capacity (BTU per hour)* | 2560 |

ELECTRICAL DATA

| | |
|--|---------------------|
| Voltage (International) | 115/60/1 (220/50/1) |
| Feed Wires (including ground) | 3 |
| Total Amps (International) | 6.4 (4.3) |
| 10 ft. Cord/Plug [attached] (International) | Yes (No) |

SHIPPING DATA

| | |
|------------------------------|------------------|
| Height - Crated (inches) | 85 1/2 (2172 mm) |
| Width - Crated (inches) | 42 (1067 mm) |
| Depth - Crated (inches) | 42 (1067 mm) |
| Volume - Crated (cubic feet) | 87 (2464 cu l) |
| Weight Std - Crated (pounds) | 445 (202 kg) |
| Weight SS - Crated (pounds) | 470 (213 kg) |

* Rating @ +25°F evaporator, 90°F ambient
Figures in parentheses reflect metric equivalents rounded to the nearest whole unit.



Equipped with one NEMA-5-15P Plug
(varies by country)

Continental
Refrigerator

Toll-Free: 800-523-7138
Phone: 215-244-1400
Fax: 215-244-9579

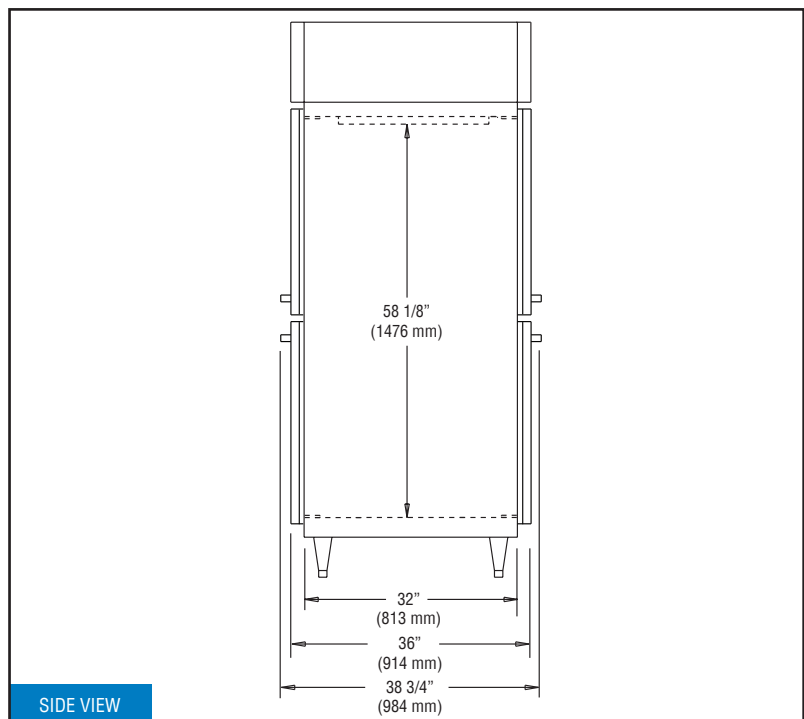
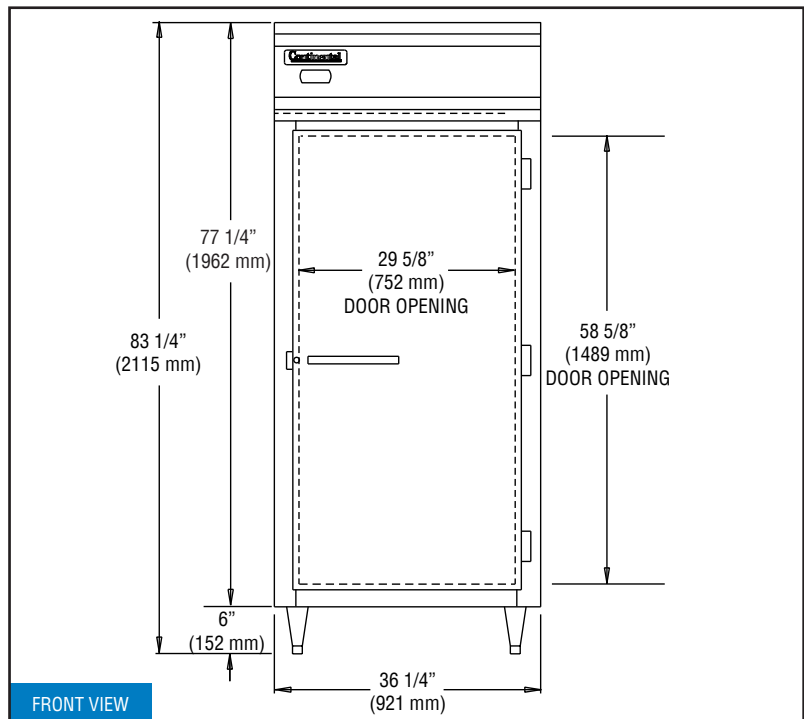
539 Dunksferry Road
Bensalem, PA 19020
www.continentalrefrigerator.com

Due to our continued efforts in developing innovative products, specifications subject to change without notice.



© Copyright 2021. Continental Refrigerator.
A Division of National Refrigeration & Air Conditioning Products, Inc.

Model Plan Views



IMPORTANT NOTE: If the cabinet is located under a low ceiling, a minimum clearance of 12" is required on top and 3" on sides.

REVISED: 6/29/2022